



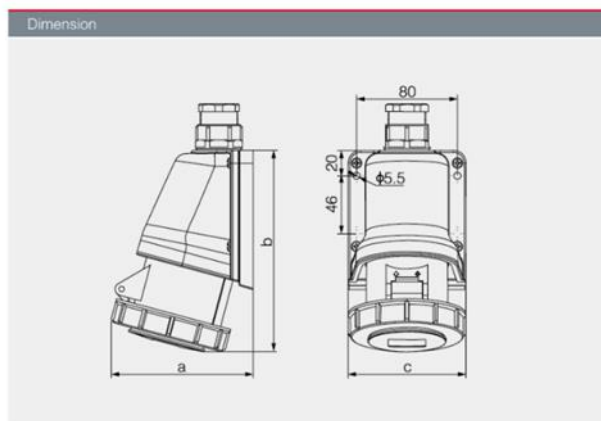
Product Code

VP32511



32A 2P+E Angled Wall Socket IP67

★ Rated current:32A
★ Rated voltage: 220-250V
★ No. of poles:2P+E
★ Protection degree: IP67
★ Housing material: Flame Retardant PA6 RoHS Reach Contact: nickel-plated brass RoHS Reach
★ Standards: IEC60309-1, IEC60309-2
★ Certificates: S,CB,CE,TUV,ISO9001:2008,RoHS,REACH



Current	16A			32A		
	3	4	5	3	4	5
a	101	104	107	114	114	116
b	150	150	151	162	162	163
c	93.5	93.5	93.5	93.5	93.5	93.5
Cable size(mm ²)	1.5-4			2.5-10		

